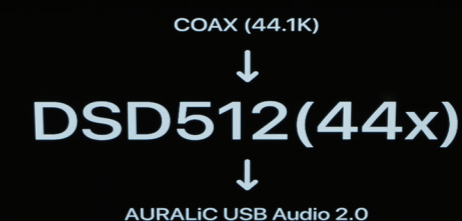


# SIRIUS G2 SPECIFICATIONS

<b>Input Channel</b>	Lightning Link (Up to 384K/32bit, DSD512) USB Audio (Up to 384K/32bit, DSD512) AES/EBU (Up to 192K/24Bit, DoP DSD64) Coaxial (Up to 192K/24Bit, DoP DSD64) TOSLINK (Up to 192K/24Bit, DoP DSD64)
<b>Output Channel</b>	Lightning Link (Up to 384K/32bit, DSD512) 2*USB Host (Up to 384K/32bit, DSD512) AES/EBU (Up to 192K/24Bit, DoP DSD64) Coaxial (Up to 192K/24Bit, DoP DSD64) TOSLINK (Up to 192K/24Bit, DoP DSD64)
<b>Sampling Rate</b>	PCM in 44.1K – 384K (16 to 32Bit) DSD64 – DSD512 (Both 44x and 48x)
<b>Benchmark</b>	THD+N: <-150dB (Upsampling to any PCM or DSD64) THD+N: <-155dB (Upsampling to DSD128-DSD512) THD+N: <-130dB (Downsampling to 44.1K/48K)
<b>Hardware Platform</b>	AURALiC Tesla G1 General Computing AURALiC Proteus G2 FPGA Co-Processing
<b>Internal Clock</b>	Triple Femto Clock For Digital Outputs, USB Host and Proteus G2
<b>Noise Elimination</b>	Dual Galvanic Isolation Digital and USB Audio EMI-shielding Unity Chassis
<b>Power Supply</b>	Triple-Channel Purer-Power internal linear power supply 10uV low noise design for audio circuit
<b>Dimensions</b>	340mm*320mm*80mm (W*D*H)
<b>Weight</b>	7.8kgs

AURALiC





## A Digital Signal Optimizer Without Peer



At AURALiC, our primary goal is to improve your music listening experience through the use of cutting-edge technology. In developing the SIRIUS G2 upsampling processor, we have done just that. The introduction of this product breaks the mould of previous upsampling designs and presents you with an opportunity to fully optimize the performance of your system.

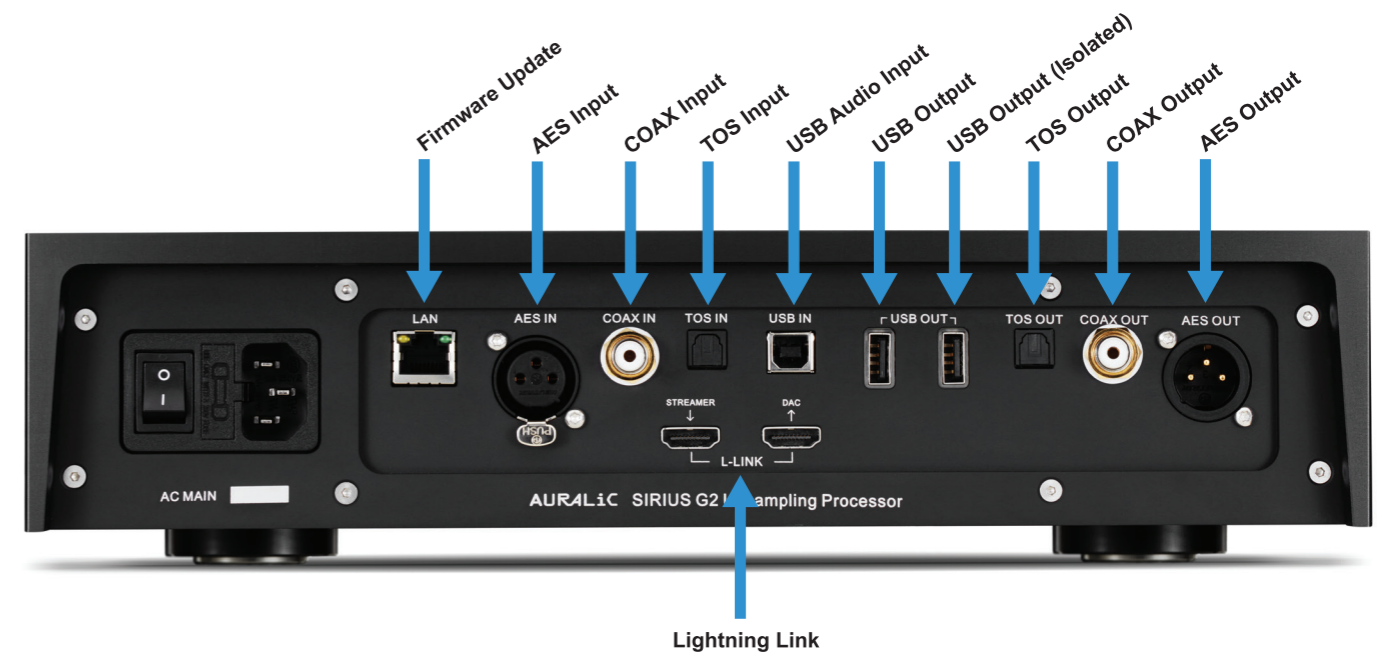
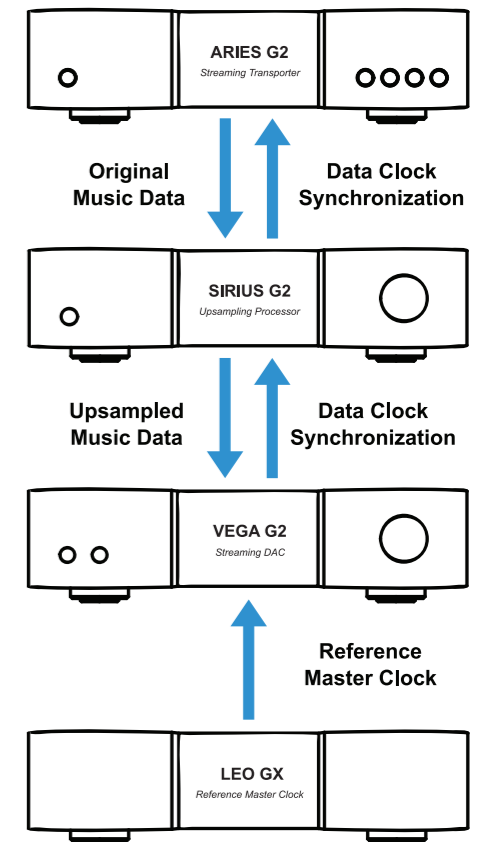
SIRIUS G2 can be connected to any DAC, as it uses an open standard to deliver a variety of sample rates and formats to the DAC, among other functions and features. It stands as the fourth addition to the award-winning G2 Series of AURALiC products. As a system, ARIES G2, VEGA G2, LEO GX and SIRIUS G2 now represent one of the most advanced digital sources available for your system today. One of SIRIUS G2's purposes is to remove noise from the digital signal before it arrives at the digital to analog converter.

Combining the flexibility afforded by offering many features and a high level of performance, SIRIUS G2 may be the piece of equipment missing from the digital side of your high-fidelity music system. Its ability to output (through a variety of digital outs, including USB) both PCM (up to 384 kHz) and DSD (up to DSD 512) will surely drive your system's level of performance from its potential to full realization.

## Lightning Link

Lightning Link is a low-jitter, bi-directional 18Gbps coupling that takes advantage of high-speed HDMI-type hardware connectors to provide a superior level of transmission control, making today's ultra-high resolution digital music shine like never before.

Different from the other HDMI-based I2S connection, the bi-directional Lightning Link opens the door to jitter-free operation of all the devices in your system connected via Lightning Link. For example, clocking information from destination devices such as the VEGA G2 can drive the ARIES G2 timing for perfect data synchronization. Lightning Link also carries system control data for everything from volume control to processor engine setup, allowing all linked AURALiC devices to appear in a single, unified control interface.



The key to these innovations lies in SIRIUS G2's state of the art **AURALiC Proteus G2 Co-Processing Platform**; which harnesses a Xilinx XC7A200T FPGA chip at its heart, bolstered by 512 MB of DDR3 memory. This FPGA chip contains more than 200,000 logic cells and 740 DSP slices, all combining to provide unparalleled levels of data processing capability.